



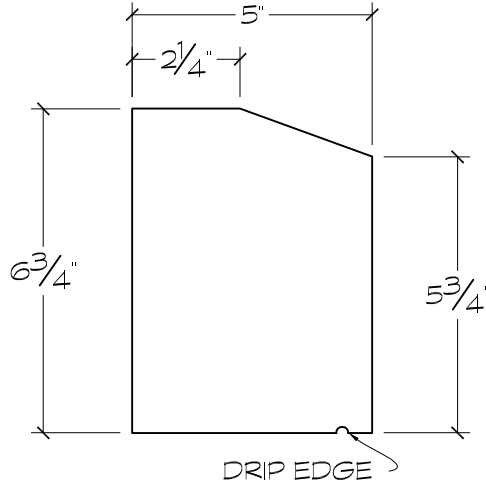
Harvey Cement Products, Inc.

Since 1947

16030 Park Avenue, Harvey, IL 60426

Ph: 708.333.1900 F: 708.333.1910

www.harveycement.com



CROSS SECTION

**1** PROFILE GR

ARCH REF:  
SCALE: 3"=1'-0"

CAN BE USED AS CORNICE WITH CHAMFER AT BOTTOM EDGE

Profile ID

**GR**

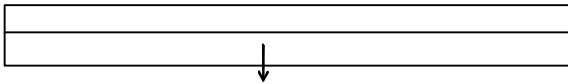
**SUGGESTED USE**

Sill	X
Transition Band	X
Coping	
Cap	
Band	X
Cornice	X

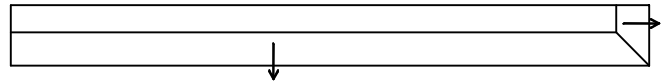
**TYPE / SIZE  
AVAILABILITY**

TYPE	LENGTH(S)
Straight	Up to 49"
Right End Return	Up to 53 3/6"

TOP VIEWS



STRAIGHT



RIGHT END RETURN